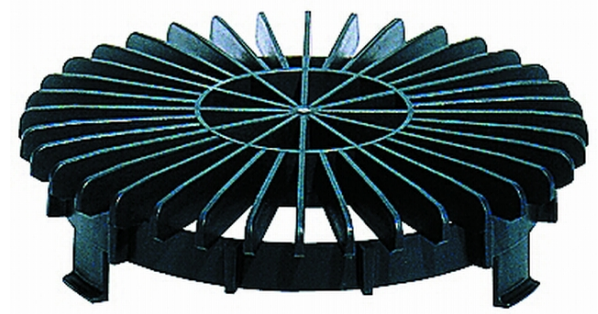


# HL170

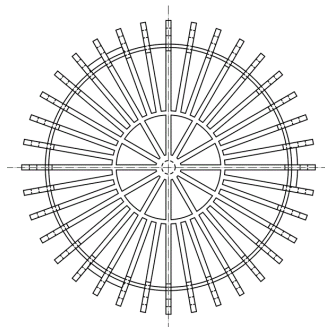
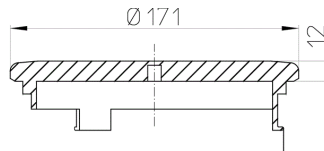
flat grate d 150mm



flat grate d 150 mm



## techn. drawing



## TECHNICAL DATA

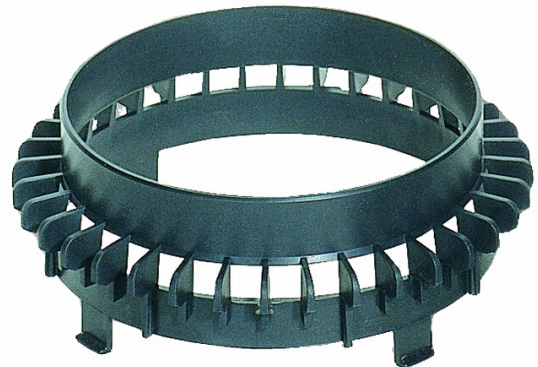
<b>material</b>	PP	<b>installation height</b>
<b>dimension</b>	d 170 mm	<b>grate frame</b>
<b>capacity</b>		<b>grate</b>
<b>weight</b>	0,08	<b>load class</b>
<b>EAN</b>	9003076009152	<b>inlet</b>

# HL160

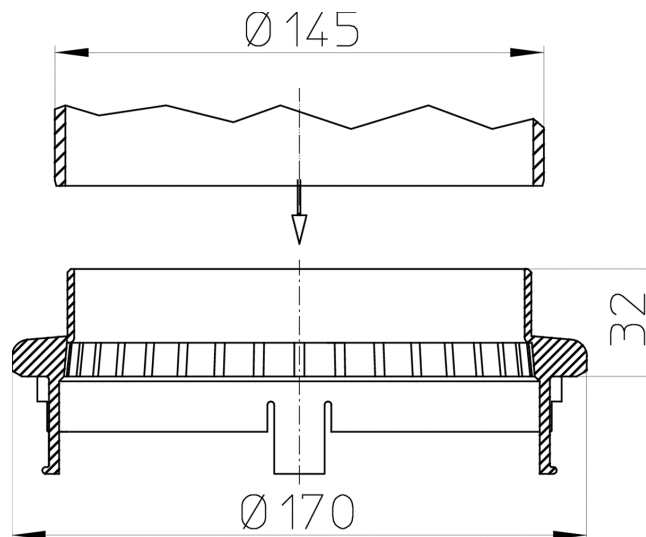
gravel guard d 150mm



gravel guard d 150 mm



## techn. drawing



## TECHNICAL DATA

<b>material</b>	PP	<b>installation height</b>
<b>dimension</b>	d 170 mm	<b>grate frame</b>
<b>capacity</b>		<b>grate</b>
<b>weight</b>	0,053	<b>load class</b>