

HL62B/1

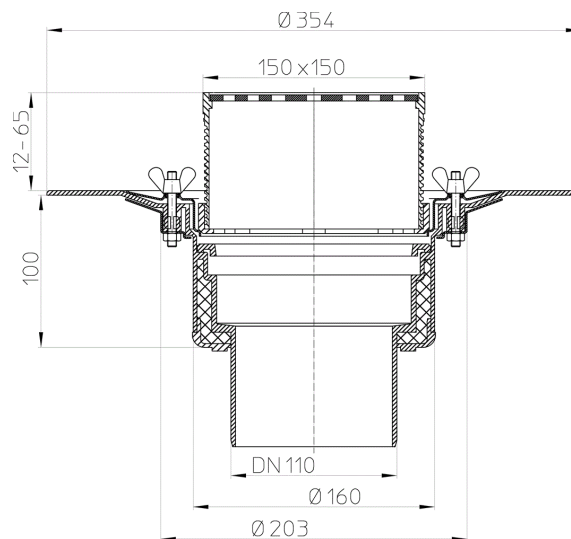
flat-roof drain DN110 with clamping ring. Walkable - 148x148mm/137x137mm



flat-roof drain DN110 vertical with insulated drain body, flange with stainless steel clamping ring (- dress the membrane over the flange and clamp it - ready!), cut-to-size grate frame 12 - 65 mm / 147 x 147 mm and stainless steel grate 137 x 137 mm. Comes with lot cover.



techn. drawing



TECHNICAL DATA

material	PP	installation height	120mm
dimension	DN110	grate frame	12-65mm/148x148mm
capacity	6,0 l/s	grate	Edelstahl 137x137mm
weight	1,78	load class	K - 300 kg

HL62B/5

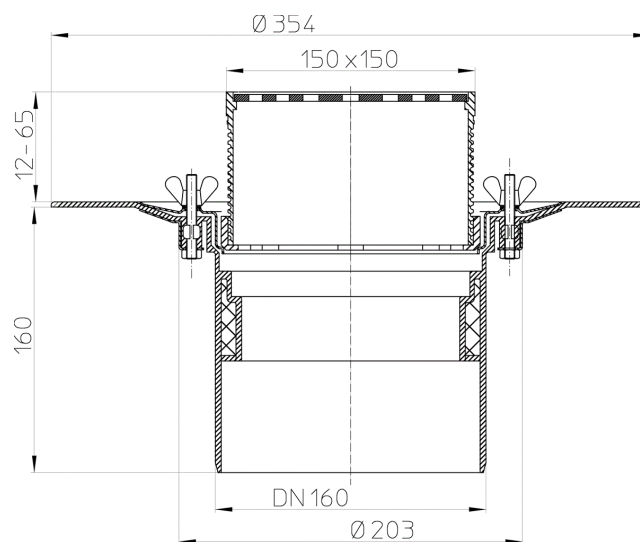
flat-roof drain DN160 with clamping ring. Walkable - 148x148mm/137x137mm



flat-roof drain DN160 vertical with insulated drain body, flange with stainless steel clamping ring (- dress the membrane over the flange and clamp it - ready!), cut-to-size grate frame 12 - 65 mm / 148 x 148 mm and stainless steel grate 137 x 137 mm. Comes with lot cover.



techn. drawing



TECHNICAL DATA

material	PP	installation height	120mm
dimension	DN160	grate frame	12-65mm/148x148mm
capacity	6,0 l/s	grate	Edelstahl 137x137mm
weight	1,81	load class	K - 300 kg