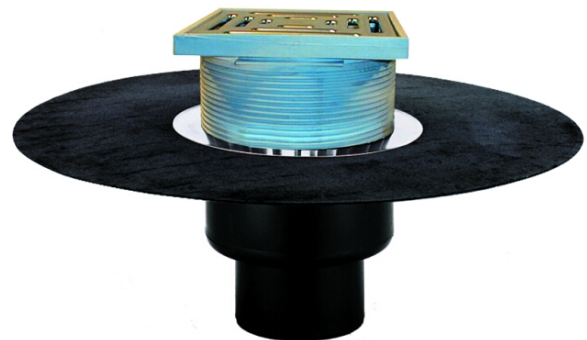


HL62BH/1

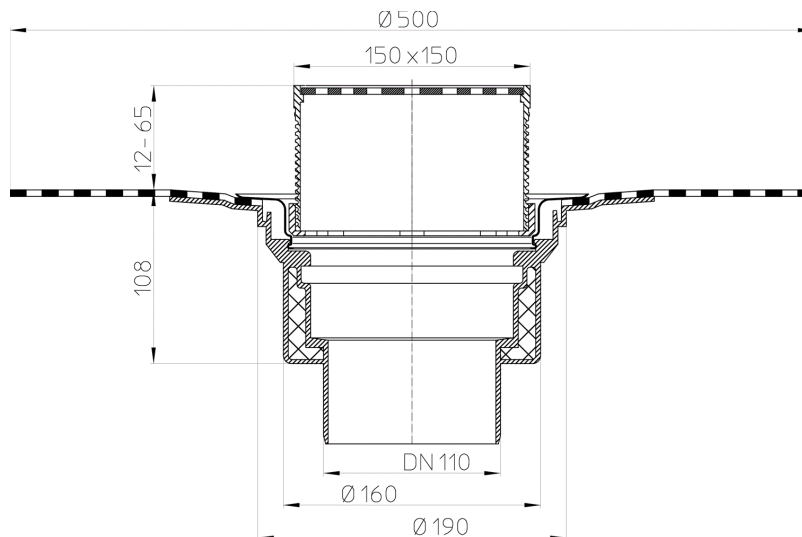
flat-roof drain DN110 with bitumen membrane. Walkable - 148x148mm/137x137mm



flat-roof drain DN110 vertical with insulated drain body, bitumen membrane d 500 mm for perfect and easy lap-joint waterproofing with bituminous membranes, cut-to-size grate frame 19 - 65 mm / 147 x 147 mm and stainless steel grate 137 x 137 mm. Comes with lot cover.



techn. drawing



TECHNICAL DATA

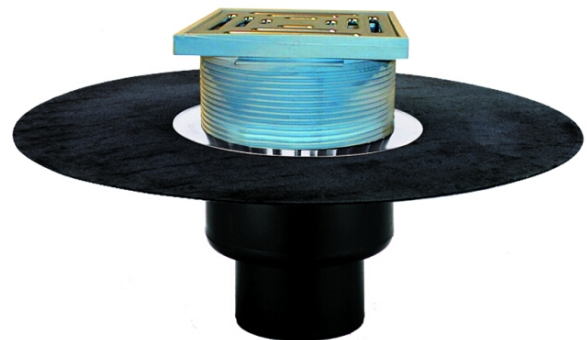
material	PP	installation height	120mm
dimension	DN110	grate frame	12-65mm/148x148mm
capacity	6,0 l/s	grate	Edelstahl 137x137mm
weight	2,08	load class	K - 300kg

HL62BH/5

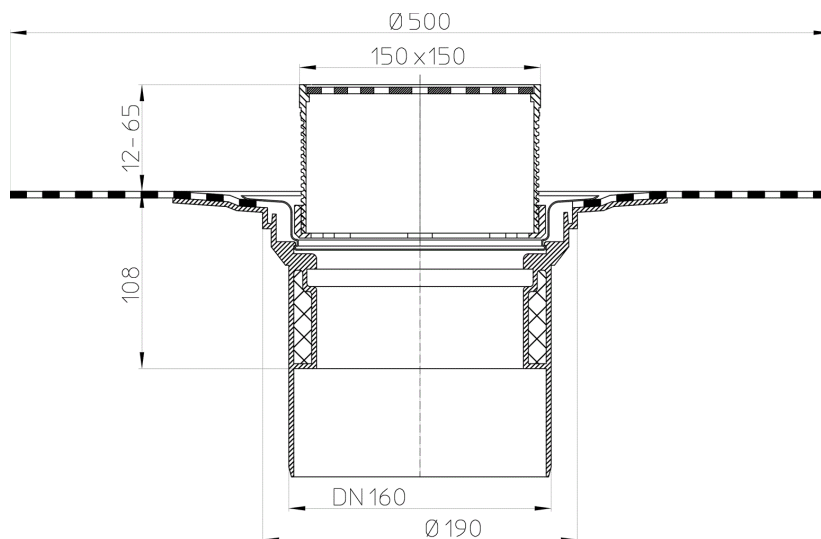
flat-roof drain DN160 with bitumen membrane. Walkable - 148x148mm/137x137mm



flat-roof drain DN160 vertical with insulated drain body, bitumen membrane d 500 mm for perfect and easy lap-joint waterproofing with bituminous membranes, cut-to-size grate frame 19 - 65 mm / 147 x 147 mm and stainless steel grate 137 x 137 mm. Comes with lot cover.



techn. drawing



TECHNICAL DATA

material	PP	installation height	120mm
dimension	DN160	grate frame	12-65mm/148x148mm
capacity	6,0 l/s	grate	Edelstahl 137x137mm
weight	2,11	load class	K - 300kg