

HL710.0

anti-flood valve DN110 with stainless steel flap and socket for plastic pipes



anti-flood valve DN110 with automatic stainless steel flap and socket for plastic pipes.
ATTENTION! New model - identifiable by socket molded to the body. Models with screwed sockets have other spare parts - please contact HL!



TECHNICAL DATA

material	ABS	installation height	190 mm
dimension	DN110	grate frame	
capacity		grate	
weight	0,828	load class	
EAN	9003076971008	inlet	
		standards	

MAIN DATA

spare parts

-  **HL01064D**
lip seal DN110
-  **HL0710.30E**
casing cover NEW
-  **HL0710.32E**
flap cartridge NEW
-  **HL01077D**
flap seal NEW
-  **HL0710.8E**
butterfly nuts (4 Stk.)

HL715.0

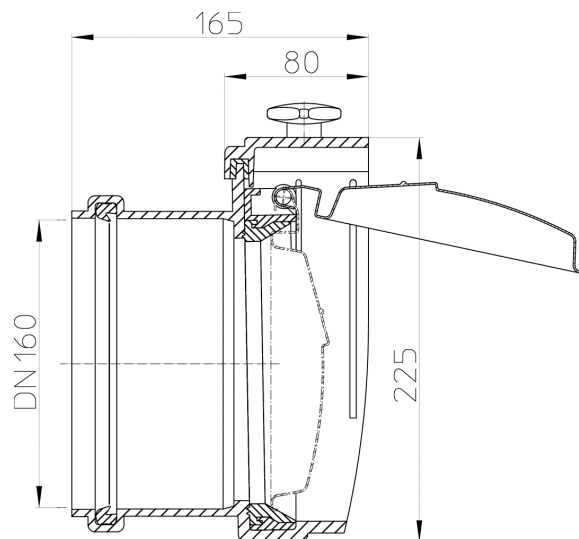
anti-flood valve DN160 with stainless steel flap and socket for plastic pipes



anti-flood valve DN160 with automatic stainless steel flap and socket for plastic pipes.
ATTENTION! New model - identifiable by socket molded to the body. Models with screwed sockets have other spare parts - please contact HL!



techn. drawing



TECHNICAL DATA

material	ABS	installation height	218 mm
dimension	DN160	grate frame	
capacity		grate	
weight	1,43	load class	

HL720.0

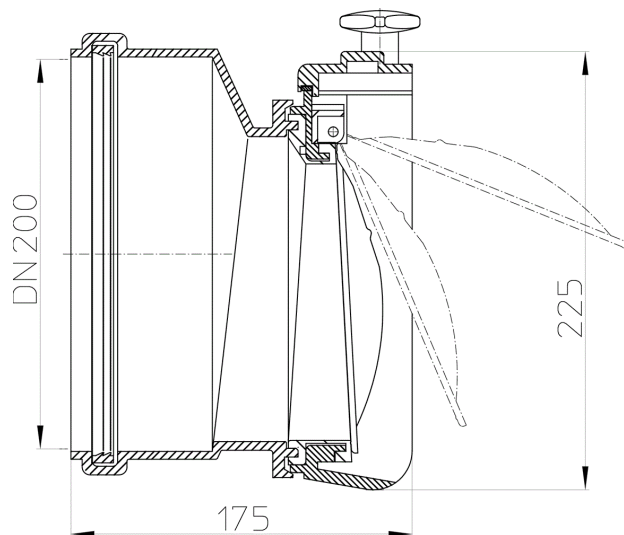
anti-flood valve DN200 with stainless steel flap and socket for plastic pipes



anti-flood valve DN200 with automatic stainless steel flap and socket for plastic pipes



techn. drawing



TECHNICAL DATA

material	ABS	installation height	198 mm
dimension	DN200	grate frame	
capacity		grate	
weight	1,56	load class	