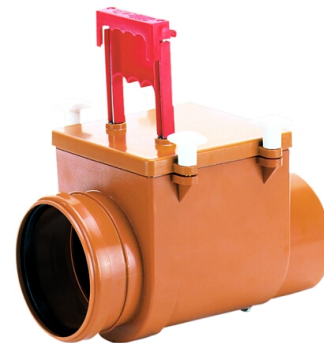


HL710.1

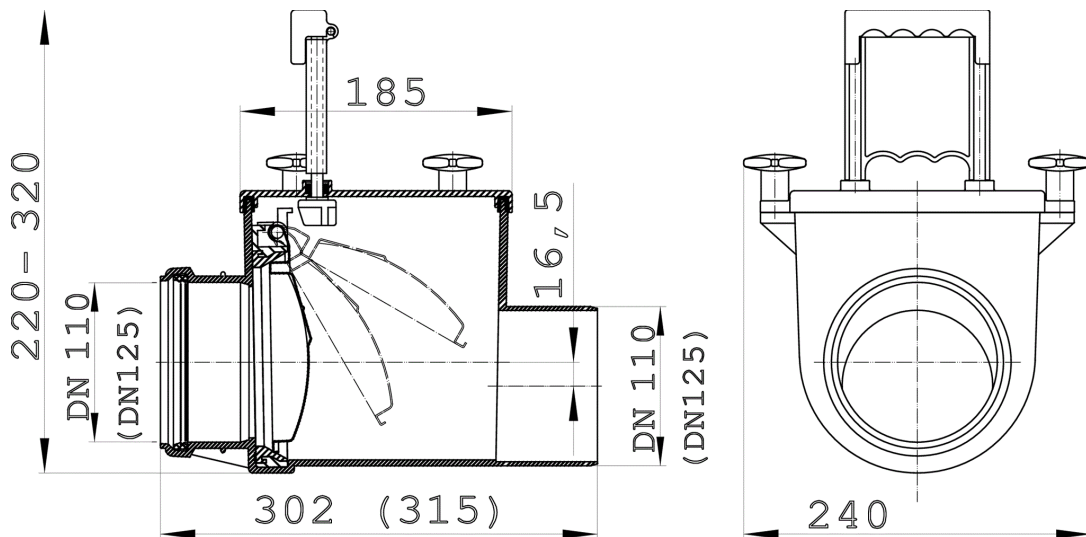
anti-flood valve DN110 with stainless steel flap and manual blocking



anti-flood valve DN110 with automatic stainless steel flap, cleaning eye and manual blocking.
ATTENTION! New model - identifiable by sockets molded to the body. Models with screwed sockets have other spare parts - please contact HL!



techn. drawing



TECHNICAL DATA

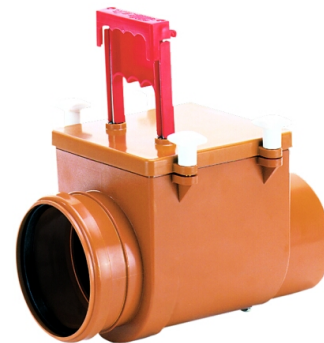
material	ABS	installation height	320 mm
dimension	DN110	grate frame	
capacity		grate	
weight	1,747	load class	

HL715.1

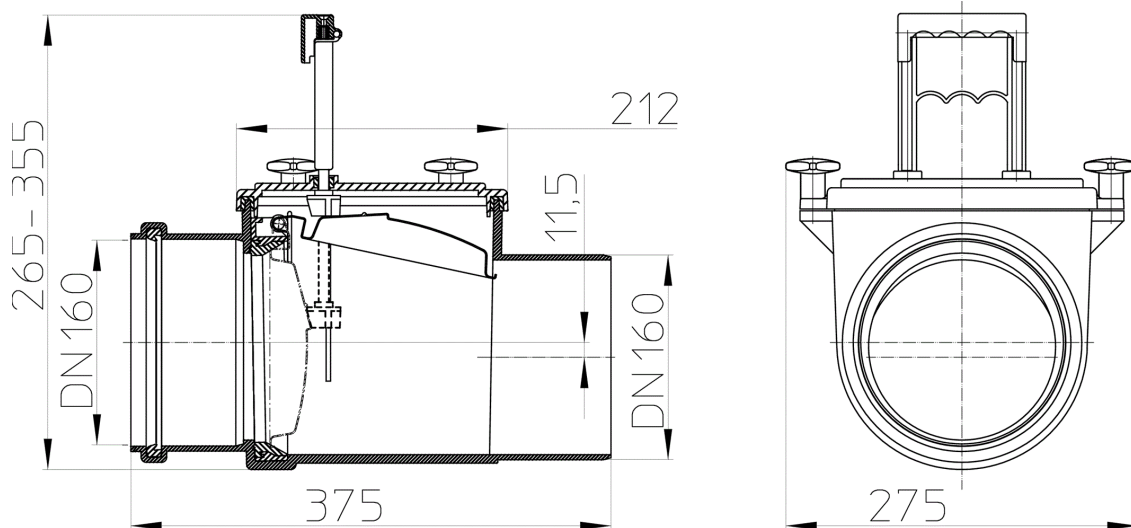
anti-flood valve DN160 with stainless steel flap and manual blocking



anti-flood valve DN160 with automatic stainless steel flap, cleaning eye and manual blocking.
ATTENTION! New model - identifiable by sockets molded to the body. Models with screwed sockets have other spare parts - please contact HL!



techn. drawing



TECHNICAL DATA

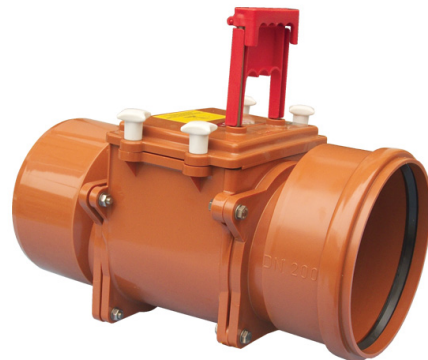
material	ABS	installation height	348 mm
dimension	DN160	grate frame	
capacity		grate	
weight	2,927	load class	

HL720.1

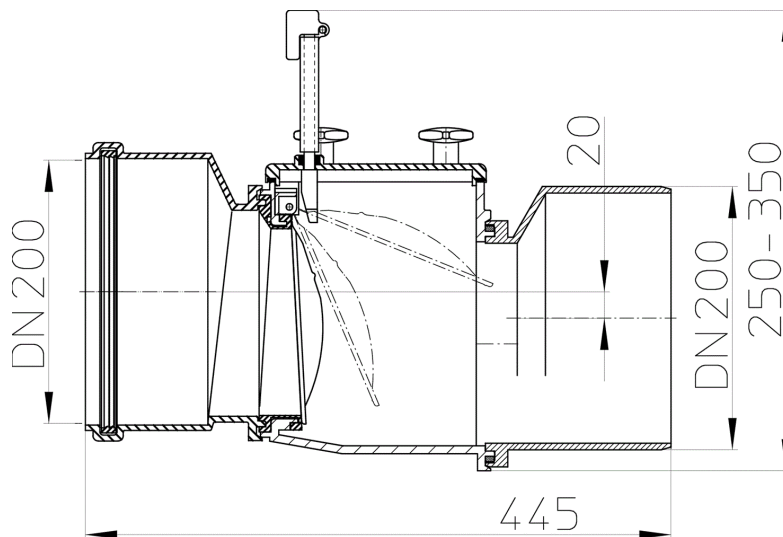
anti-flood valve DN200 with stainless steel flap and manual blocking



anti-flood valve DN200 with automatic stainless steel flap, cleaning eye and manual blocking



techn. drawing



TECHNICAL DATA

material	ABS	installation height	248 mm
dimension	DN200	grate frame	
capacity		grate	
weight	3,68	load class	