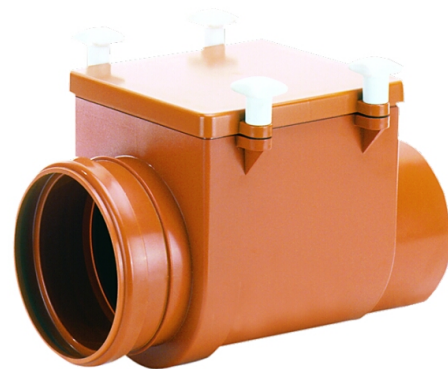


HL710

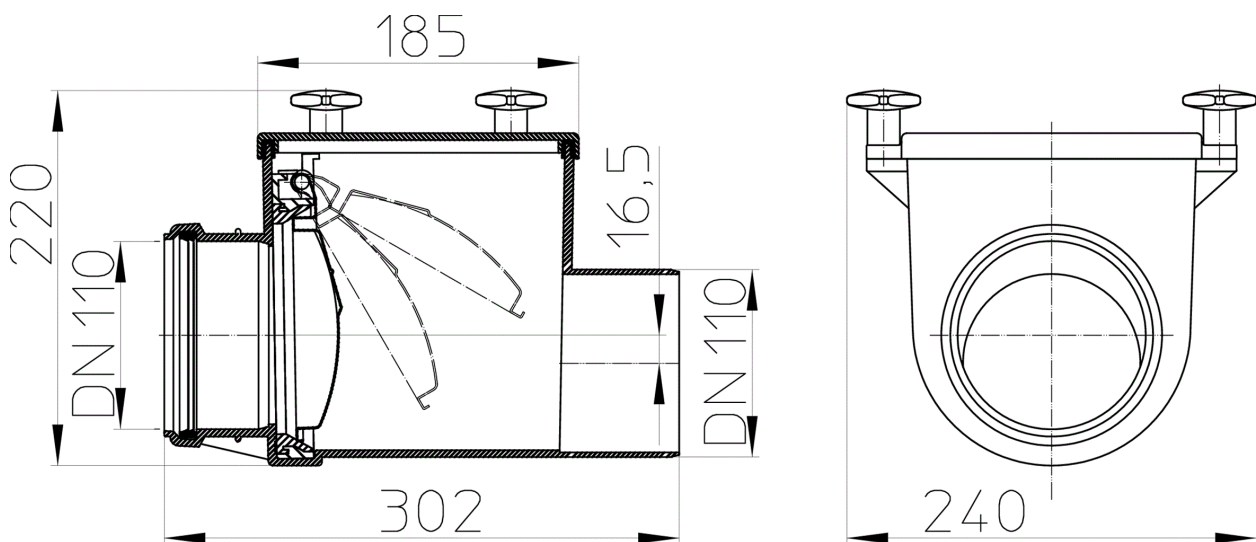
anti-flood valve DN110 with stainless steel flap



anti-flood valve DN110 with automatic stainless steel flap and cleaning eye.
ATTENTION! New model - identifiable by sockets molded to the body. Models with screwed sockets have other spare parts - please contact HL!



techn. drawing



TECHNICAL DATA

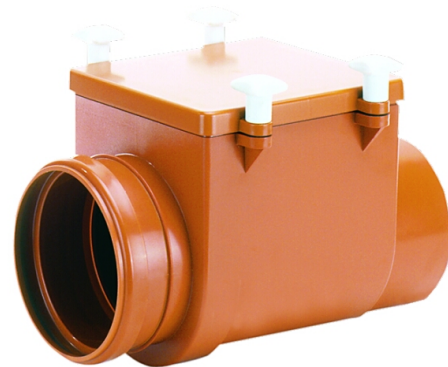
material	ABS	installation height	220 mm
dimension	DN110	grate frame	
capacity		grate	
weight	1,556	load class	

HL715

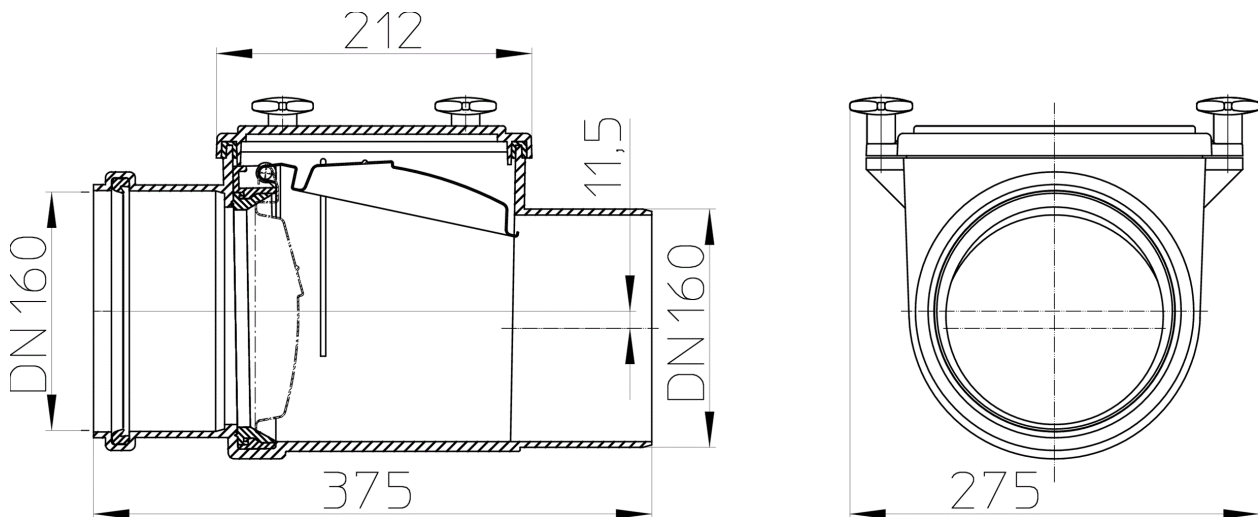
anti-flood valve DN160 with stainless steel flap



anti-flood valve DN160 with automatic stainless steel flap and cleaning eye.
ATTENTION! New model - identifiable by sockets molded to the body. Models with screwed sockets have other spare parts - please contact HL!



techn. drawing



TECHNICAL DATA

material	ABS	installation height	248 mm
dimension	DN160	grate frame	
capacity		grate	
weight	2,694	load class	

HL720

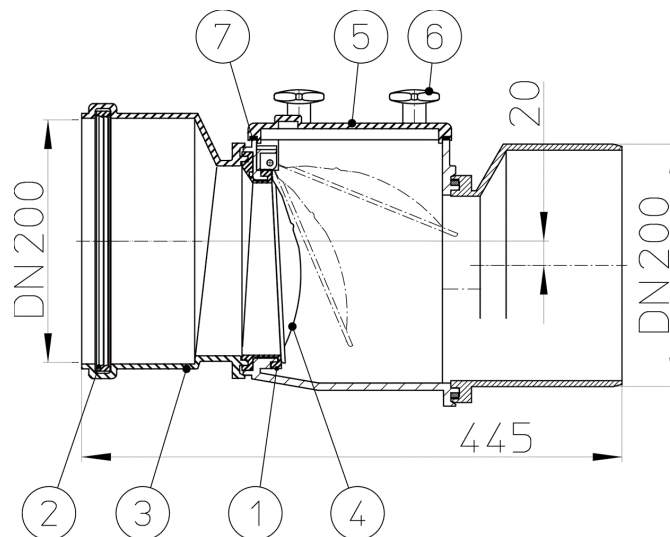
anti-flood valve DN200 with stainless steel flap



anti-flood valve DN200 with automatic stainless steel flap and cleaning eye



techn. drawing



TECHNICAL DATA

material	ABS	installation height	217 mm
dimension	DN200	grate frame	
capacity		grate	
weight	4,06	load class	