

HL4

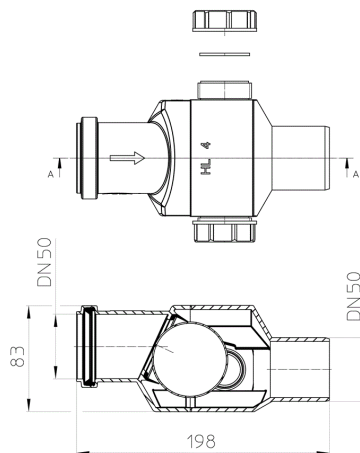
non-return valve DN50



non-return valve DN50 with cleaning eyes on both sides. For horizontal and vertical installation. Do not use under flood level!



techn. drawing



TECHNICAL DATA

material	PP	installation height	85 mm
dimension	DN50	grate frame	
capacity	1,36 l/sec	grate	
weight	0,28	load class	
EAN	9003076900046	inlet	