

HL62.1B/1

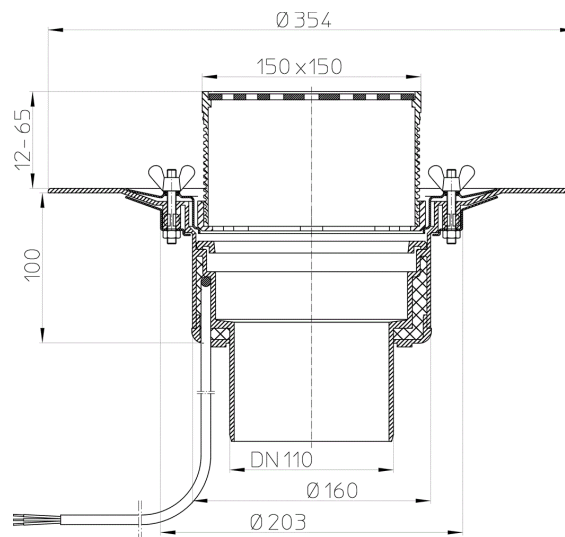
flat-roof drain DN110 with clamping ring, heated (10-30W/230V). Walkable - 148x148mm/137x137mm



flat-roof drain DN110 vertical with insulated drain body, flange with stainless steel clamping ring (- dress the membrane over the flange and clamp it - ready!), self regulating heating element (10 - 30 W / 230 V), cut-to-size grate frame 12 - 65 mm / 148 x 148 mm and stainless steel grate 137 x 137 mm. Comes with lot cover.



techn. drawing



TECHNICAL DATA

material	PP	installation height	120 mm
dimension	DN110	grate frame	12-65 mm/148 x 148 mm
capacity	6,0 l/s	grate	Edelstahl 137 x 137 mm
weight	1,92	load class	K - 300 kg

HL62.1B/5

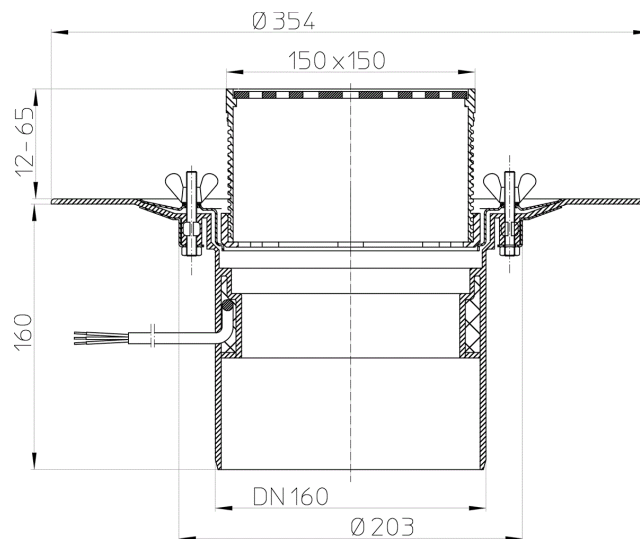
flat-roof drain DN160 with clamping ring, heated (10-30W/230V). Walkable - 148x148mm/137x137mm



flat-roof drain DN160 vertical with insulated drain body, flange with stainless steel clamping ring (- dress the membrane over the flange and clamp it - ready!), self regulating heating element (10 - 30 W / 230 V), cut-to-size grate frame 19 - 68 mm / 147 x 147 mm and stainless steel grate 137 x 137 mm. Comes with lot cover.



techn. drawing



TECHNICAL DATA

material	PP	installation height	120 mm
dimension	DN160	grate frame	12-65 mm/148 x 148 mm
capacity	6,0 l/s	grate	Edelstahl 137 x 137 mm
weight	1,95	load class	K - 300 kg