

HL62.1H/1

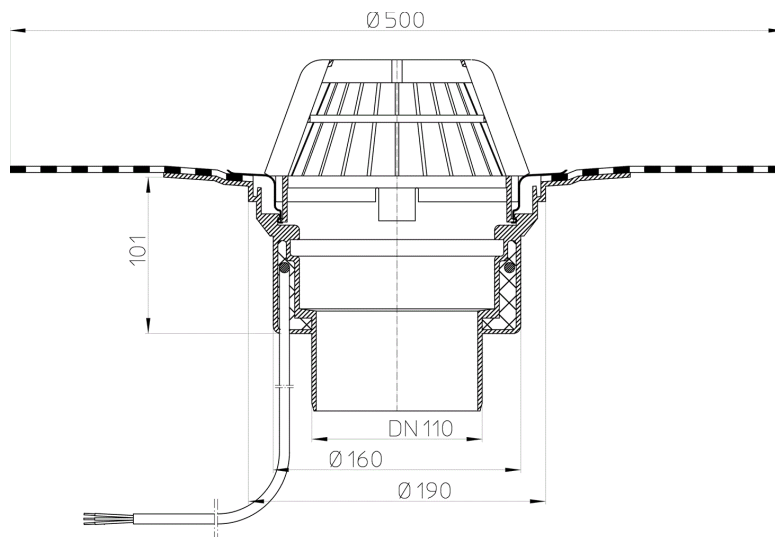
flat-roof drain DN110 with bitumen membrane, heated (10-30W/230V)



flat-roof drain DN110 vertical with insulated drain body, bitumen membrane d 500 mm for perfect and easy lap-joint waterproofing with bituminous membranes, self regulating heating element (10 - 30 W / 230 V) and domed plastic grate d 180 mm. Comes with lot cover.



techn. drawing



TECHNICAL DATA

material	PP	installation height	100 mm
dimension	DN110	grate frame	
capacity	10,7 l/s	grate	Laubfangkorb d 145 mm
weight	1,97	load class	

HL62.1H/5

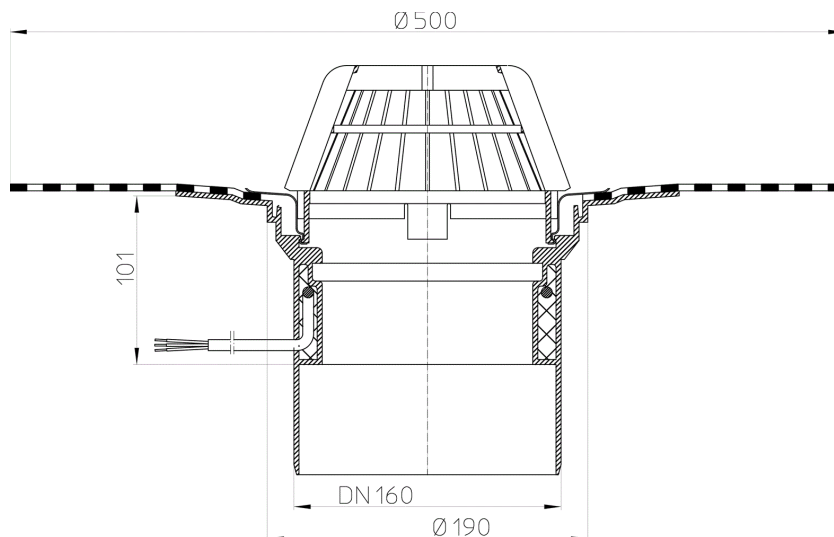
flat-roof drain DN160 with bitumen membrane, heated (10-30W/230V)



flat-roof drain DN160 vertical with insulated drain body, bitumen membrane d 500 mm for perfect and easy lap-joint waterproofing with bituminous membranes, self regulating heating element (10 - 30 W / 230 V) and domed plastic grate d 180 mm. Comes with lot cover.



techn. drawing



TECHNICAL DATA

material	PP	installation height	100 mm
dimension	DN160	grate frame	
capacity	14,1l/s	grate	Laubfangkorb d 145 mm
weight	2	load class	