

HL62/1

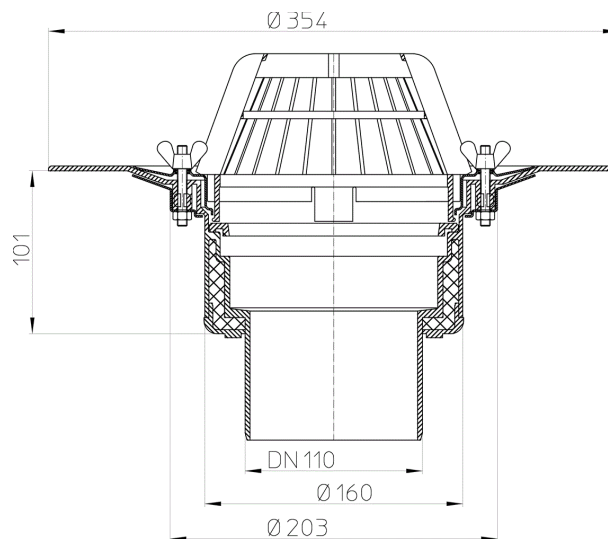
Flat-roof drain DN110 with clamping ring



Flat-roof drain DN110 vertical with insulated drain body, flange with stainless steel clamping ring (- dress the membrane over the flange and clamp it - ready!) and domed plastic grate d 180 mm. Comes with lot cover.



techn. drawing



TECHNICAL DATA

| | | | |
|------------------|----------|----------------------------|-----------------------|
| material | PP | installation height | 100 mm |
| dimension | DN110 | grate frame | |
| capacity | 10,7 l/s | grate | Laubfangkorb d 145 mm |
| weight | 1,49 | load class | |

HL62/5

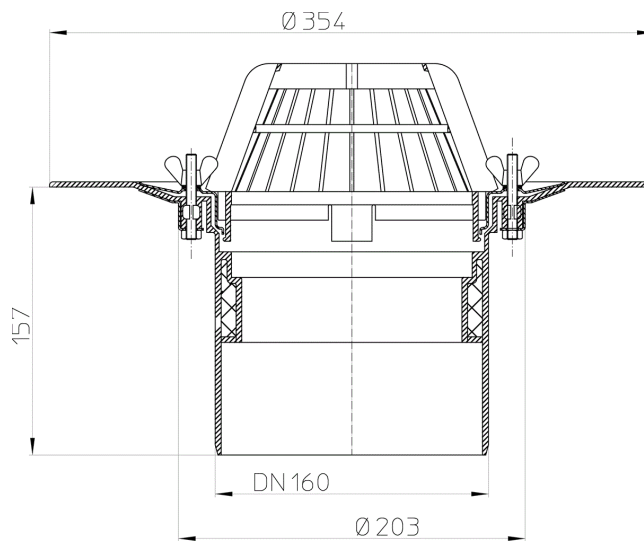
Flat-roof drain DN160 with clamping ring



Flat-roof drain DN160 vertical with insulated drain body, flange with stainless steel clamping ring (- dress the membrane over the flange and clamp it - ready!) and domed plastic grate d 180 mm. Comes with lot cover.



techn. drawing



TECHNICAL DATA

| | | | |
|------------------|----------|----------------------------|-----------------------|
| material | PP | installation height | 100 mm |
| dimension | DN160 | grate frame | |
| capacity | 14,1 l/s | grate | Laubfangkorb d 145 mm |
| weight | 1,52 | load class | |