

HL62H/1

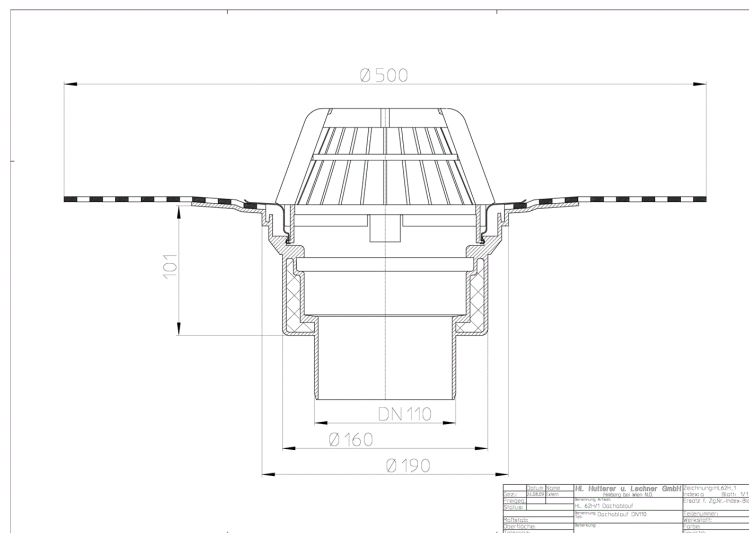
flat-roof drain DN110 with bitumen membrane



flat-roof drain DN110 vertical with insulated drain body, bitumen membrane d 500 mm for perfect and easy lap-joint waterproofing with bituminous membranes and domed plastic grate d 180 mm. Comes with lot cover.



techn. drawing



TECHNICAL DATA

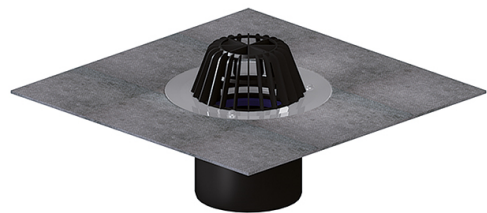
material	PP	installation height	100mm
dimension	DN110	grate frame	
capacity	10,7 l/s	grate	Laubfangkorb d 145mm
weight	1,83	load class	

HL62H/5

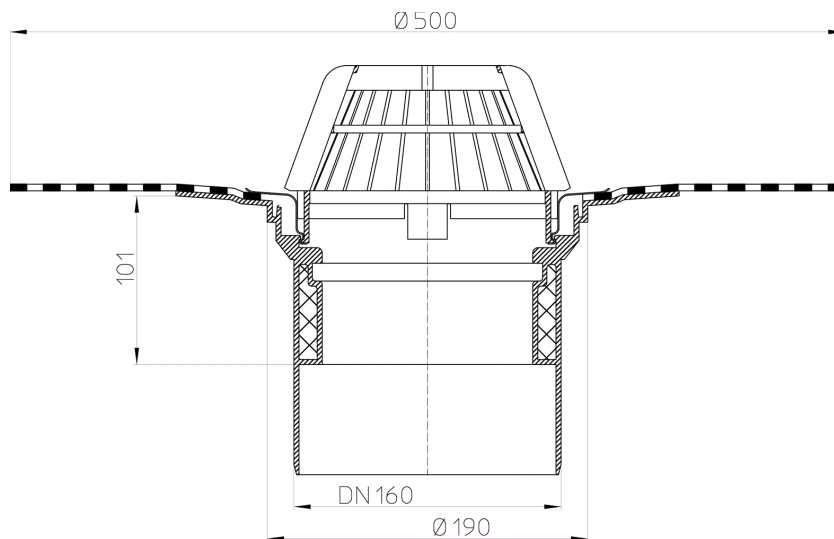
flat-roof drain DN160 with bitumen membrane



flat-roof drain DN160 vertical with insulated drain body, bitumen membrane d 500 mm for perfect and easy lap-joint waterproofing with bituminous membranes and domed plastic grate d 180 mm. Comes with lot cover.



techn. drawing



TECHNICAL DATA

material	PP	installation height	100mm
dimension	DN160	grate frame	
capacity	14,1 l/s	grate	Laubfangkorb d 145mm
weight	1,86	load class	