

HL64.1

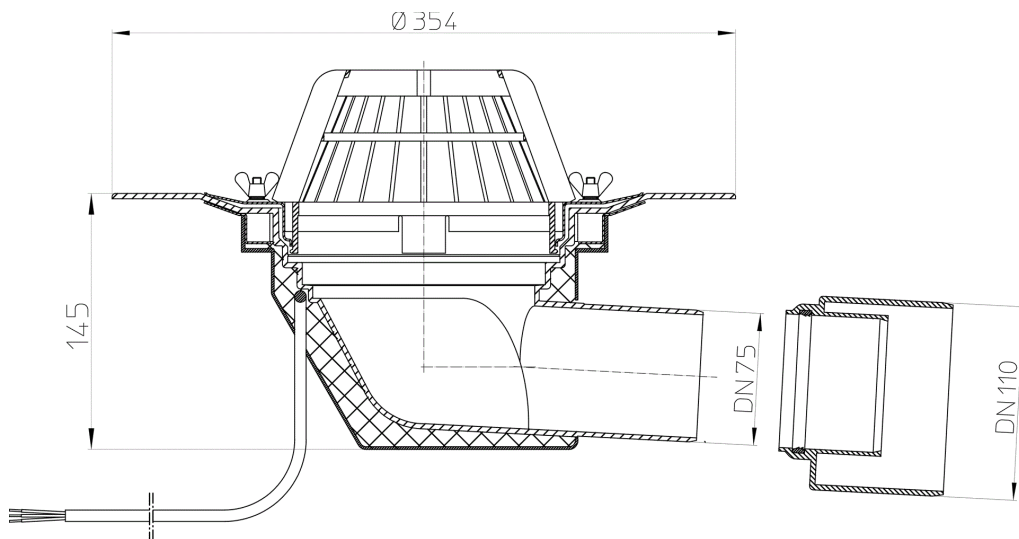
flat-roof drain DN75/110 horizontal with clamping ring heated (10-30W/230V)



flat-roof drain DN75/110 horizontal with insulated drain body, flange with stainless steel clamping ring (- dress the membrane over the flange and clamp it - ready!), self-regulating heating element 10 - 30 W / 230 V) and domed plastic grate d 180 mm. Comes with lot cover.



techn. drawing



TECHNICAL DATA

material	PP	installation height	147mm
dimension	DN75/110	grate frame	
capacity	DN75=10,0l/s; DN110=6,0l/s	grate	Laubfangkorb d 145mm
weight	1,78	load class	

HL64.1H

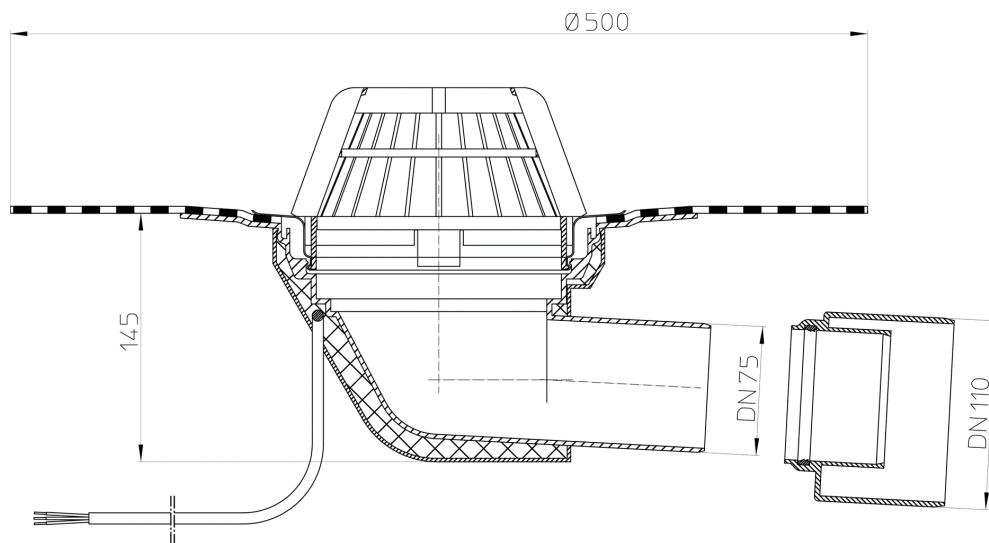
flat-roof drain DN75/110 horizontal with bitumen membrane heated (10-30W/230V)



flat-roof drain DN75/110 horizontal with insulated drain body, bitumen membrane d 500 mm for perfect and easy lap-joint waterproofing with bituminous membranes, self-regulating heating element (10 - 30 W / 230 V) and domed plastic grate d 180 mm. Comes with lot cover.



techn. drawing



TECHNICAL DATA

material	PP	installation height	147mm
dimension	DN75/110	grate frame	
capacity	DN75: 10 l/s; DN110: 6 l/s	grate	Laubfangkorb d 145mm
weight	2,1	load class	
EAN	9003076816415	inlet	

HL64

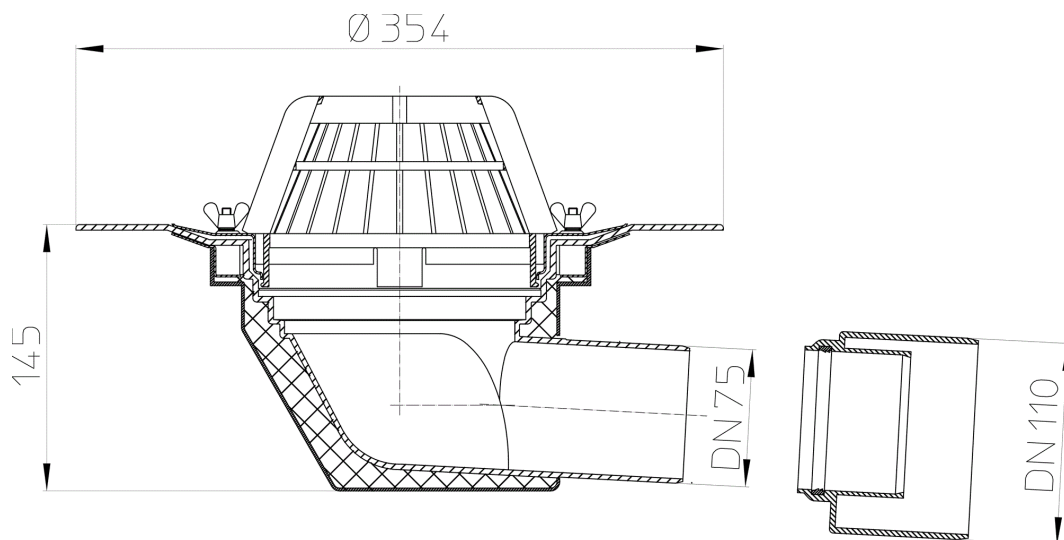
flat-roof drain DN75/110 horizontal with clamping ring



flat-roof drain DN75/110 horizontal with insulated drain body, flange with stainless steel clamping ring (- dress the membrane over the flange and clamp it - ready!) and domed plastic grate d 180 mm. Comes with lot cover.



techn. drawing



TECHNICAL DATA

material	PP	installation height	147mm
dimension	DN75/110	grate frame	
capacity	DN75 = 10,0l/s; DN110 = 6,0l	grate	Laubfangkorb d 145mm
weight	1,64	load class	

HL64H

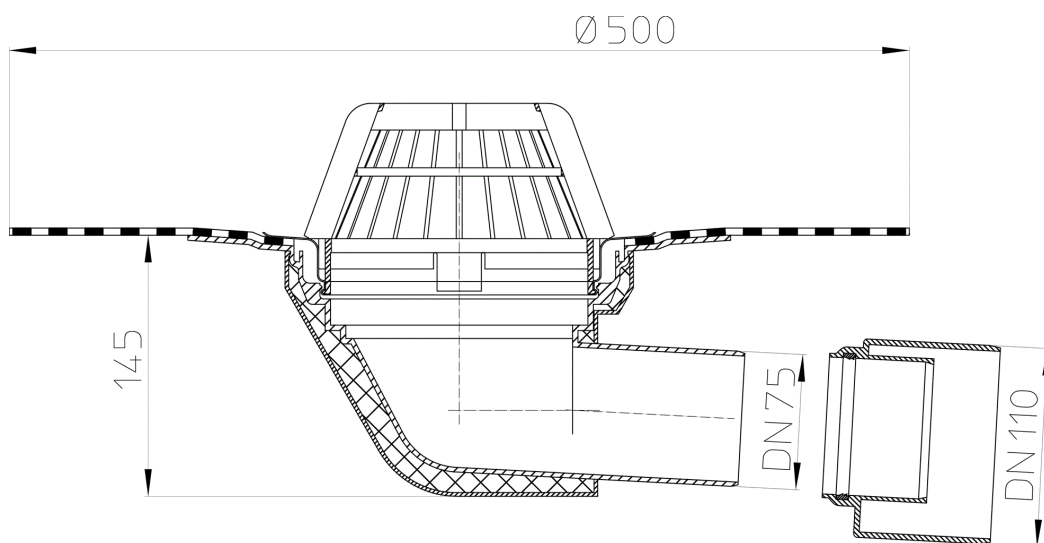
flat-roof drain DN75/110 horizontal with bitumen membrane



flat-roof drain DN75/110 horizontal with insulated drain body, bitumen membrane d 500 mm for perfect and easy lap-joint waterproofing with bituminous membranes and domed plastic grate d 180 mm. Comes with lot cover.



techn. drawing



TECHNICAL DATA

material	PP	installation height	147mm
dimension	DN75/110	grate frame	
capacity	DN75: 10 l/s; DN110: 6 l/s	grate	Laubfangkorb d 145mm
weight	1,95	load class	
EAN	9003076801640	inlet	