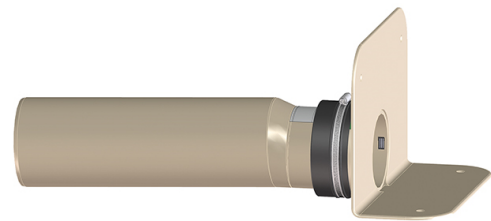


HL68F.0/110

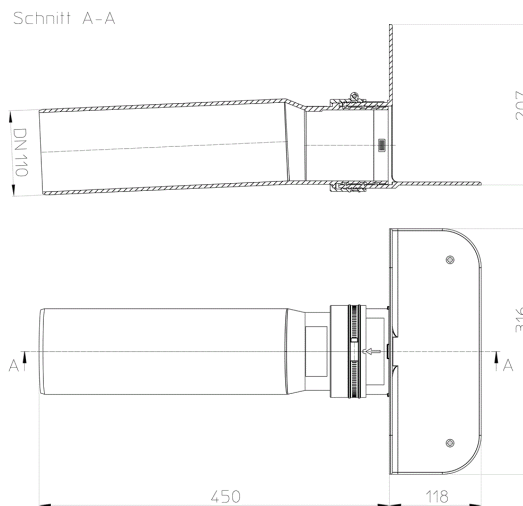
Attica drain with PP-flange and PP-wastepipe DN110



Attica drain with PP flange and PP wastepipe DN110; for FPO waterproofings, based on PP



techn. drawing



TECHNICAL DATA

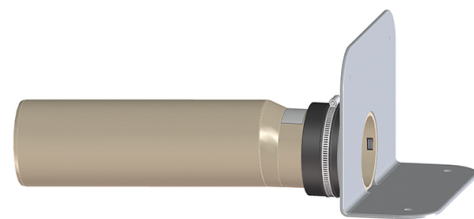
| | | |
|------------------|----------|----------------------------|
| material | PP | installation height |
| dimension | DN110 | grate frame |
| capacity | 0,71 l/s | grate |
| weight | 1,05 | load class |

HL68P.0/110

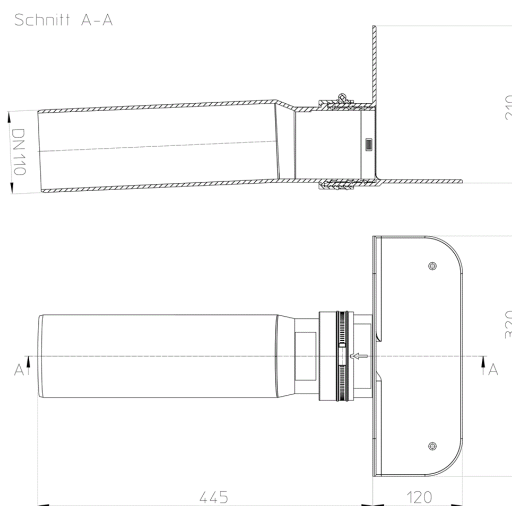
Attica drain with PVC-flange and PP-wastepipe DN110



Attica drain with PVC flange and PP wastepipe DN110;
for PVC waterproofings



techn. drawing



TECHNICAL DATA

| | | |
|------------------|----------|----------------------------|
| material | PP, PVC | installation height |
| dimension | DN110 | grate frame |
| capacity | 0,71 l/s | grate |
| weight | 1,32 | load class |