

## HL69H/1

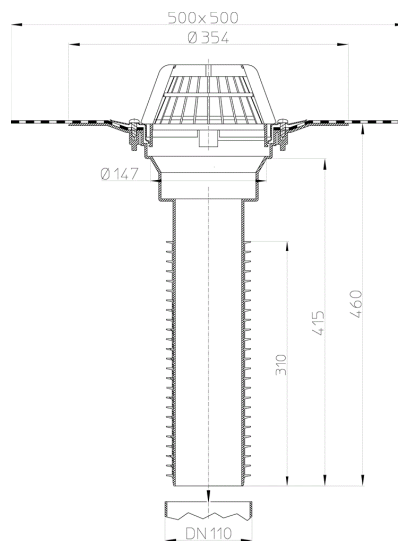
flat-roof renovation drain for DN110 with bitumen membrane



flat-roof renovation drain for DN110 with bitumen membrane d 500 mm for perfect and easy lap-joint waterproofing with bituminous membranes and domed plastic grate d 180 mm. Comes with lot cover. Pushed straight through the existing drain body and into the bore of the down pipe, the multiple rubber ribs seal immediately, without the need for tools or extra gaskets.



### techn. drawing



### TECHNICAL DATA

material	PP	installation height	301 mm
dimension	für DN110	grate frame	
capacity	7,8 l/s	grate	Laubfangkorb d 145mm
weight	2,33	load class	

## HL69H/5

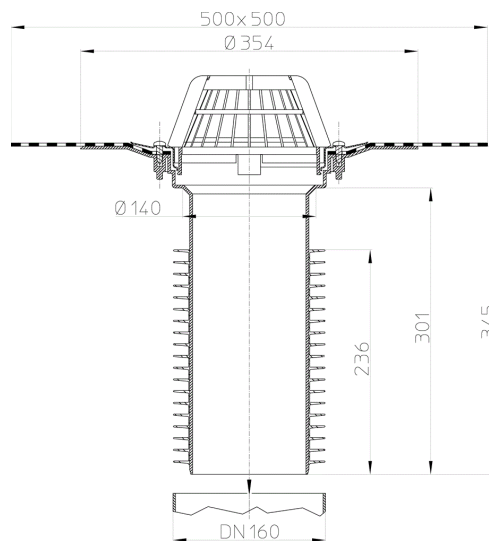
flat-roof renovation drain for DN160 with bitumen membrane



flat-roof renovation drain for DN160 with bitumen membrane d 500 mm for perfect and easy lap-joint waterproofing with bituminous membranes and domed plastic grate d 180 mm. Comes with lot cover. Pushed straight through the existing drain body and into the bore of the down pipe, the multiple rubber ribs seal immediately, without the need for tools or extra gaskets.



### techn. drawing



### TECHNICAL DATA

material	PP	installation height	301 mm
dimension	für DN160	grate frame	
capacity	10,3 l/s	grate	Laubfangkorb d 145mm
weight	2,82	load class	