

## Data Sheet

# Danfoss Icon™ Dial

## Room Thermostats, 230 V

## Description



Danfoss Icon™ Dial 088U1000



Danfoss Icon™ Dial 088U1005

Danfoss Icon™ is a range of flush and surface mounted room thermostats for hydronic floor heating applications.

Danfoss Icon™ Dial is mains powered and can be used as a stand-alone thermostat or in combination with Wiring Centers.

The thermostat uses a relay output and can control up to 5 thermal actuators.

The user can set the desired room temperature with the dial, in a range from 5 to 30 degrees.

The dial can be removed, allowing limitation pins to be used to limit the setpoint range.

**Features:**

- ON/OFF control
- In-wall version compatible with a wide range of 3rd party wall frames
- Range limitation via pins
- Neutral design and simple user interface
- Frost protection setting
- Can be used with 230 V NC or NO actuators
- Includes thermal accelerator
- Very high UV-resistance


## Ordering

Product	Version	Size	For junction box	Code no.
Danfoss Icon™ Dial	In-wall	80 × 80 mm	Euro, Ø 68 mm	<b>088U1000</b>
Danfoss Icon™ Dial	In-wall	86 × 86 mm	Square, 70 × 70 mm	<b>088U1001</b>
Danfoss Icon™ Dial	In-wall	88 × 88 mm	Swiss type	<b>088U1002</b>
Danfoss Icon™ Dial	On-wall	86 × 86 mm	N.A.	<b>088U1005</b>

## Accessories

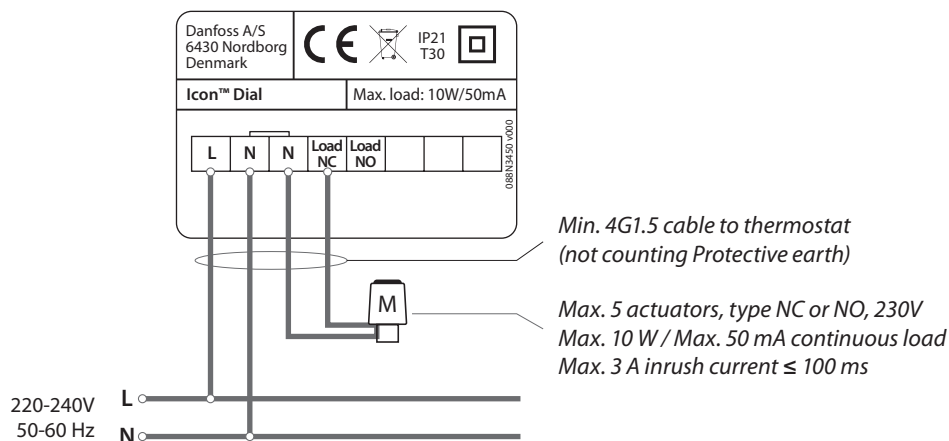
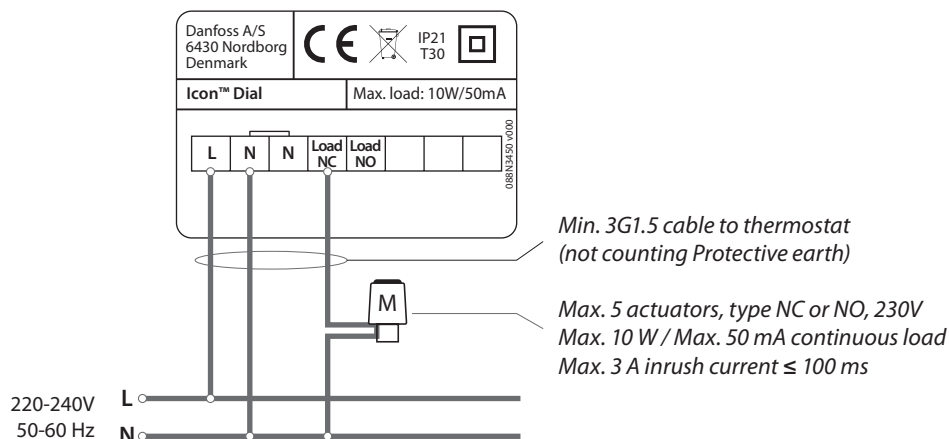
Product	Code no.
Danfoss Icon™ 230V Wiring Center, 8 channels, up to 14 outputs	<b>088U1040</b>
Danfoss Icon™ 230V Wiring Center, 8 channels, up to 14 outputs, CH	<b>088U1041</b>
Danfoss Icon™ 230V Wiring Center, 8 channels, up to 14 outputs, NP	<b>088U1042</b>

Technical specifications

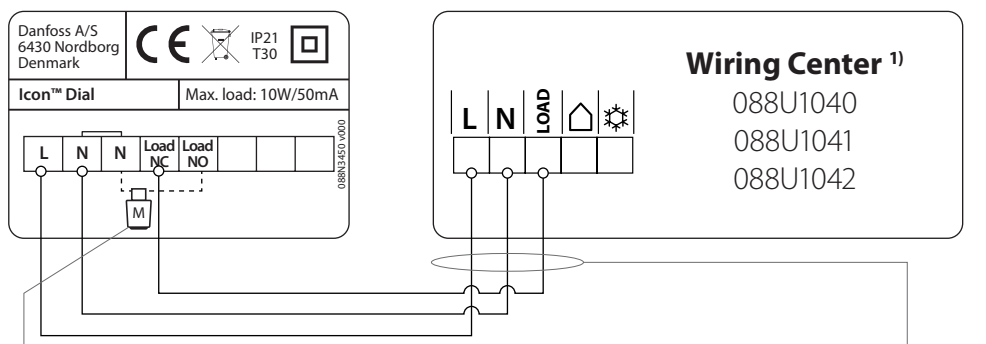
Type	Dial
Temperature setting range	5 °C to 30 °C (frost protection setting = 5 °C)
Ambient temperature, storage	-20 °C to +60° C
Ambient temperature, used in application	0 °C to 40° C
Controller, type	On/Off with thermal accelerator
Max. continuous load (output)	< 50 mA / 10 W (= 5 pcs. Danfoss TWA actuators)
Max. inrush current (actuator)	3 A ≤ 100 ms
Power consumption	0,4 W
Power supply (excl. actuators)	220-240 V, 50/60 Hz
Sensor, room	47 kΩ, NTC
Shell material	White parts: PC ASA Grey parts: PC, 10% glass
IP and Protection class	IP: 21                  Protection class: II
ErP class	 (1%)
Approval	CE, RohS, WEEE
Colour	White RAL9010 / Dark Grey RAL7024
Dimensions, in-wall versions	80 × 80 × 11 mm (088U1000) 86 × 86 × 11 mm (088U1001) 88 × 88 × 13 mm (088U1002)
Dimensions, on-wall version	86 × 86 × 25 mm (088U1005)

Wiring examples

Wiring without Wiring Center, neutral wire from main installation



Wiring with Wiring Center

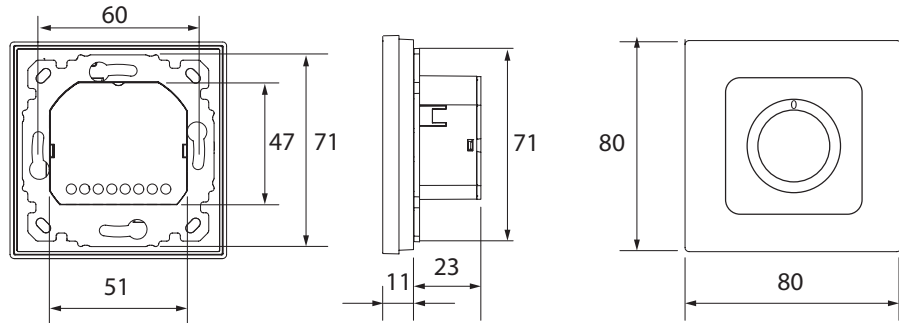


Max. 5 actuators, type NC, 230V  
 Max. 10 W / Max. 50 mA continuous load  
 Max. 3 A inrush current  $\leq$  100 ms

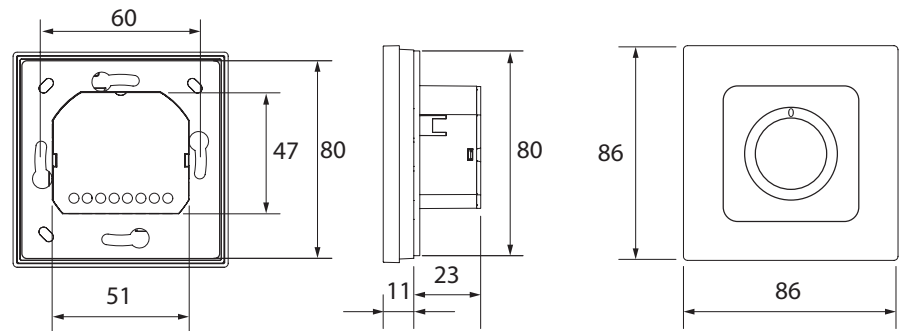
Min. 3G1.5 cable to thermostat  
 (not counting Protective Earth)

<sup>1)</sup> **Note!** Wiring Centers only support NC actuators.

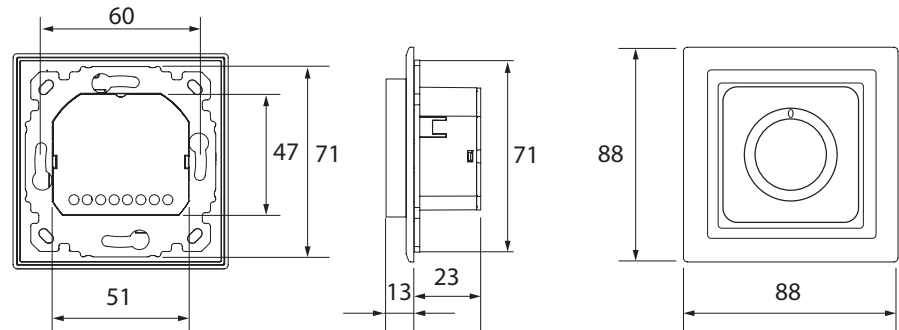
**Dimensions**



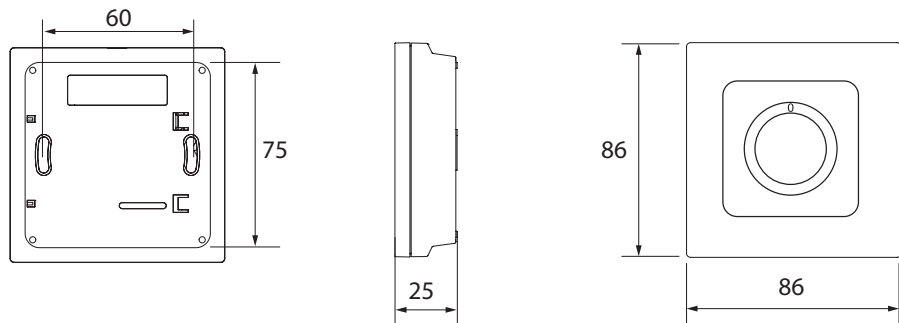
Danfoss Icon™ Dial 088U1000



Danfoss Icon™ Dial 088U1001



Danfoss Icon™ Dial 088U1002 (incl. Feller EDIZIOdue frame and adapter)



Danfoss Icon™ Dial 088U1005

**Danfoss A/S**

Climate Solutions • danfoss.com • +45 7488 2222

Any information, including, but not limited to information on selection of product, its application or use, product design, weight, dimensions, capacity or any other technical data in product manuals, catalogues descriptions, advertisements, etc. and whether made available in writing, orally, electronically, online or via download, shall be considered informative, and is only binding if and to the extent, explicit reference is made in a quotation or order confirmation. Danfoss cannot accept any responsibility for possible errors in catalogues, brochures, videos and other material. Danfoss reserves the right to alter its products without notice. This also applies to products ordered but not delivered provided that such alterations can be made without changes to form, fit or function of the product.

All trademarks in this material are property of Danfoss A/S or Danfoss group companies. Danfoss and the Danfoss logo are trademarks of Danfoss A/S. All rights reserved.

Data Sheet

# Danfoss Icon™ Wireless Dial Room Thermostat

## Description



Danfoss Icon™ Wireless Dial Thermostat offers the freedom to place your thermostat without the constraints of wires in the wall. The thermostats minimalistic design makes it blend it to the surroundings and the simple user interface makes it very user friendly.


**The Danfoss Icon™ Wireless Dial Thermostats offer the following features:**

- UV resistant plastic to reduce yellowing over time
- Temperature limiting (between 5 °C and 35 °C)

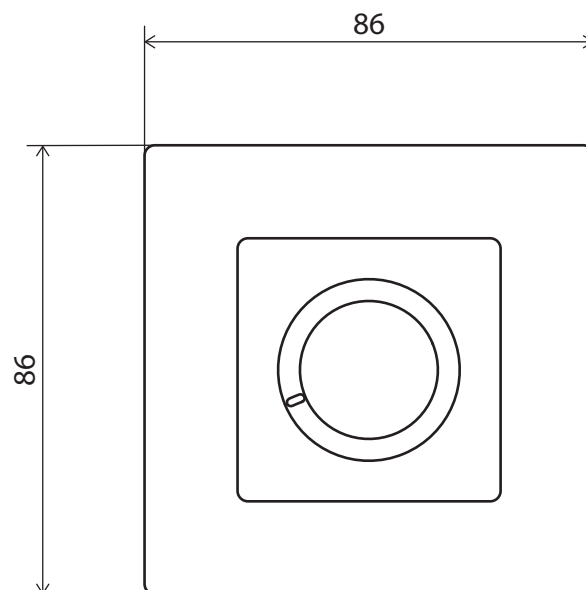
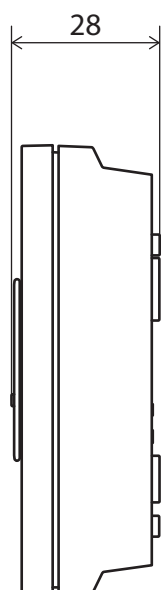
## Ordering

Product	Code number
Danfoss Icon™ Room Thermostat, Wireless Dial, On-wall	<b>088U1080</b>

## Technical data

Purpose of control	Room thermostat for room temperature control
Ambient temperature range, continuous use	0 °C to 40 °C
Frequency	868,4-869,85 MHz
Transmission power	< 2,5 mW
Encapsulation (IP Class)	IP 21
Supply voltage	2 x 1,5 V AA-Alkaline batteries
Conformity declared acc. to following directives	RED, RoHS, WEEE
Protection class	Class III
Type	Electronic thermostat
User interface	Dial interface
Ambient temperature, storage	-20 °C to +65 °C
Controller, type	Adjustable Pulse Width Modulation
Shell material	White parts: PC ASA Grey parts: PC, 10% glass
ErP class	 (2%)
Approval	CE, RohS, WEEE
Colour	White RAL9010 / Dark Grey RAL7024
Battery lifetime	3 years
Transmission range	Up to 36 m

## Drawings



## Danfoss A/S

Heating Segment • [heating.danfoss.com](http://heating.danfoss.com) • +45 7488 2222 • E-Mail: [heating@danfoss.com](mailto:heating@danfoss.com)

Danfoss can accept no responsibility for possible errors in catalogues, brochures and other printed material. Danfoss reserves the right to alter its products without notice. This also applies to products already on order provided that such alterations can be made without subsequential changes being necessary in specifications already agreed. All trademarks in this material are property of the respective companies. Danfoss and all Danfoss logotypes are trademarks of Danfoss A/S. All rights reserved.