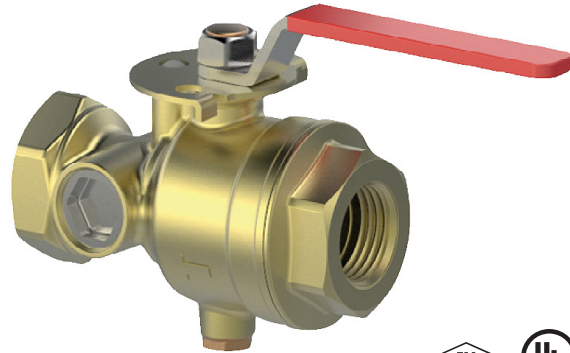


Test and Drain

TAD

Technical Features

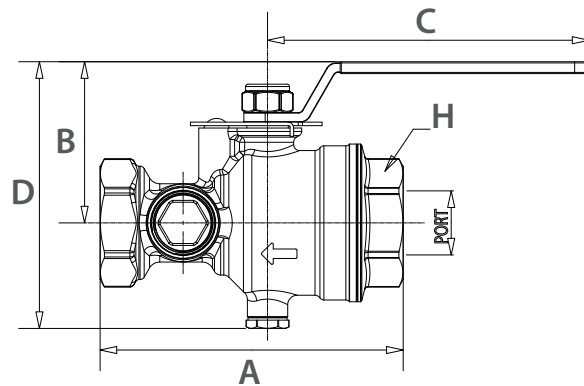
- **Sizes available (Nominal) :** 1"/DN25, 1-1/4"/ DN32 and 2"/DN50
- **Working pressure :** 20.7 bar (300 psi)
- **Connections :** Threaded BSP (NPT available on request)
- **Approvals :** UL listed and FM approved
- **Features:**
 - Tamper resistant sight glass
 - Single handle operation
 - Three positions: Test, Drain and Off
 - Complies with NFPA 13, 13R and 13D



Test and Drain - TAD

Materials List

Description	Material
Handle	Steel
Ball	Chrome-plated brass
Body	Brass
Valve seat	PTFE
Indicator plate	Brass
Handle lock	Spring steel
Sight glasses	Poylcarbonate



Test and Drain - TAD

Physical Data

Part number	Nominal size	K-factor		Dimensions (mm)					Weight (kg)					
		metric	nominal	A	B	C	D	H						
TAD025040	1"/DN25	40	2.8	128	68	136	112	48	1.4					
TAD025057	1"/DN25	57	4.2						1.4					
TAD025080	1"/DN25	80	5.6						1.4					
TAD025115	1"/DN25	115	8						1.4					
TAD025200	1"/DN25	200	14						1.4					
TAD032040	1-1/4"/DN32	40	2.8						157	102	173	161	67	1.2
TAD032057	1-1/4"/DN32	57	4.2											1.2
TAD032080	1-1/4"/DN32	80	5.6											1.2
TAD032115	1-1/4"/DN32	115	8											1.2
TAD032160	1-1/4"/DN32	160	11.2											1.2
TAD032200	1-1/4"/DN32	200	14	1.2										
TAD050057	2"/DN50	57	4.2	3.0										
TAD050080	2"/DN50	80	5.6		3.0									
TAD050115	2"/DN50	115	8		3.0									
TAD050160	2"/DN50	160	11.2		3.0									
TAD050200	2"/DN50	200	14		3.0									
TAD050240	2"/DN50	242	16.8		3.0									
TAD050320	2"/DN50	320	22		3.0									
TAD050360	2"/DN50	360	25		3.0									