

HL65

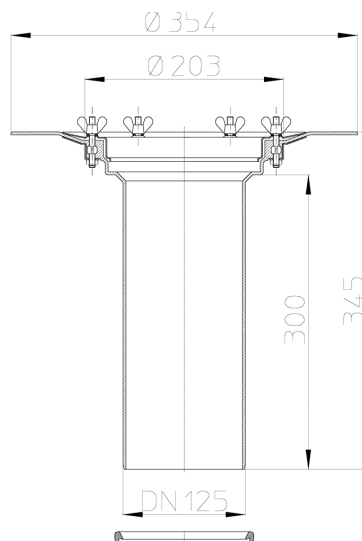
extension 300mm/d 125mm with clamping ring



extension 300 mm / d 125 mm with stainless steel clamping ring (- dress the membrane over the flange and clamp it - ready!). Comes with lot cover.



techn. drawing



TECHNICAL DATA

material	PP	installation height	300 mm
dimension	d 125 mm	grate frame	
capacity		grate	
weight	1,44	load class	

HL65H

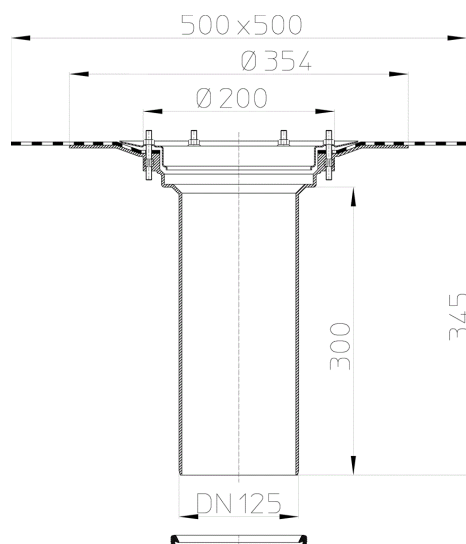
extension 300mm/d 125mm with bitumen membrane



extension 300 mm / d 125 mm with bitumen membrane
d 500 mm for perfect and easy lap-joint waterproofing
with bituminous membranes. Comes with lot cover.



techn. drawing



TECHNICAL DATA

material	PP	installation height	300 mm
dimension	d 125 mm	grate frame	
capacity		grate	
weight	2,14	load class	